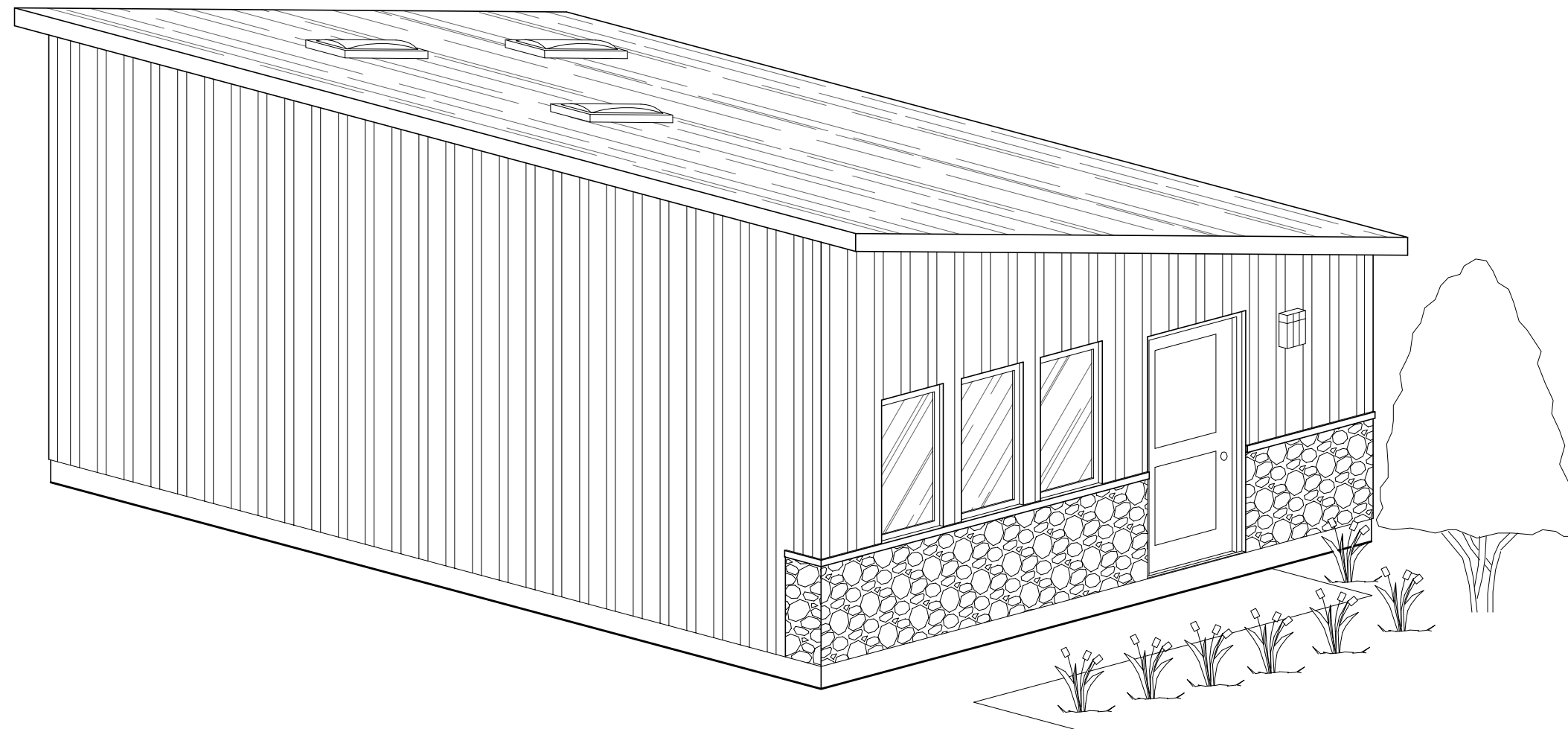


G2H-1 PACKAGE
GARDEN TWO
BEDROOM HEAT
PUMP-SPRINKLER
OPTION

FOR
REFERENCE
ONLY



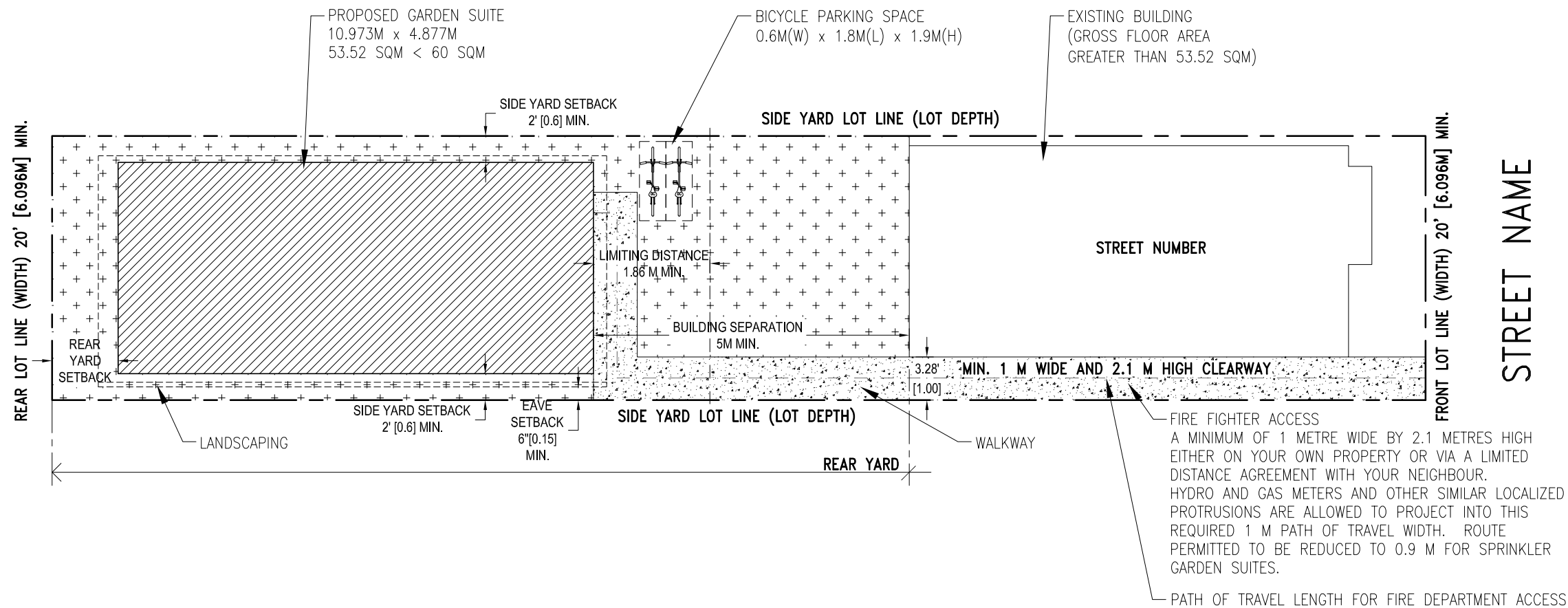
TWO BEDROOM GARDEN SUITE



CITY OF TORONTO
TORONTO BUILDING DIVISION
DEVELOPMENT AND GROWTH
SERVICES
100 QUEEN ST W
TORONTO, ON, M5H 2N2

G2H-1 PACKAGE
GARDEN TWO
BEDROOM HEAT
PUMP-SPRINKLER
OPTION

FOR
REFERENCE
ONLY



STREET NAME

STREET NUMBER

SITE PLAN

Zoning Bylaw 569-2013 related to Garden Suites (For lots without an apartment building)

- Landscaping
150.7.50.10(1)
(A) LOT FRONTAGE OF GREATER THAN 6M REQUIRES MINIMUM OF 50% SOFT LANDSCAPING IN REAR YARD.
(B) LOT FRONTAGE 6M OR LESS REQUIRES 25% OF SOFT LANDSCAPING IN REAR YARD.
- Rear Yard Setbacks
150.7.60.20
(2)(A) IF ON A LOT DEPTH GREATER THAN 45.0M, THE GREATER OF 1.5M OR HALF THE HEIGHT OF THE ANCILLARY BUILDING.
(B) IN ALL OTHER CASES 1.5M

(3)(A) IF IT IS ON A THROUGH LOT AND A RESIDENTIAL BUILDING ON AN ADJACENT LOT FRONTS ON THE STREET THAT ABUTS THE REAR LOT LINE OF THE THROUGH LOT THE REQUIRED MINIMUM REAR YARD SETBACK IS EQUAL TO THE REQUIRED MINIMUM FRONT YARD SETBACK FOR THE RESIDENTIAL BUILDING ON THE ADJACENT LOT
(B) IN ALL OTHER CASES 1.5M

(4) IF PARKING PROPOSED SEE 150.7.60.20(4)(A)(B)
- Lot Coverage
(Total Floor Area Based on Footprint)
TO COMPLY WITH 150.7.60.70(1)
- Side Yard Setbacks
150.7.60.20(5)
(A) IF THE SIDE LOT LINE DOES NOT ABUT A STREET AND THERE ARE OPENINGS THE SETBACK REQUIRED IS THE GREATER OF 1.5M OR 10% OF THE LOT FRONTAGE, TO A MAXIMUM OF 3.0 METRES.
(B) IN ALL OTHER CASES, THE SETBACK REQUIRED IS THE GREATER OF 0.6M OR 10% OF THE LOT FRONTAGE, TO A MAXIMUM OF 3.0 METRES..

150.7.60.20(6)
(A) IF IT IS ON A CORNER LOT AND CONTAINS A PARKING SPACE WITH ACCESS FROM THE CORNER STREET SETBACK REQUIRED IS 6M
(B) IN ALL OTHER CASES THE REQUIRED SIDE YARD SETBACK IS THE GREATER OF THE REQUIRED MINIMUM SIDE YARD SETBACK FOR THE RESIDENTIAL BUILDING ON THE AND AND 1.5M.
- Separation and Dimensions
TO COMPLY WITH 150.7.60.30 (1)
- Heights
TO COMPLY WITH 150.7.60.40 (1)
- Floor Area
TO COMPLY WITH 150.7.60.50 (2)
- Equipment
150.7.60.60
(7) WALL MOUNTED EQUIPMENT ON AN ANCILLARY BUILDING CONTAINING A GARDEN SUITE, SUCH AS VENTS, PIPES, UTILITY EQUIPMENT, SATELLITE DISHES, ANTENNAE OR AIR CONDITIONERS, MAY ENCROACH A MAXIMUM OF 0.6 METRES AS FOLLOWS, IF THE EQUIPMENT IS NO CLOSER TO A LOT LINE THAN 0.3 METRES:
(A) ON A MAIN WALL OF THE ANCILLARY BUILDING, INTO THE MINIMUM BUILDING SETBACKS REQUIRED IN CLAUSE 150.7.60.20; AND
(B) ON THE FRONT MAIN WALL OF THE ANCILLARY BUILDING, INTO THE DISTANCE SEPARATION REQUIRED IN REGULATION 150.7.60.30(1).
- Bicycle Parking
150.8.80.1
(2) A MINIMUM OF TWO BICYCLE PARKING SPACES REQUIRED

Length of Path of Travel for Fire Department Access

A MAXIMUM OF 45 METRES IN LENGTH MEASURED FROM THE PUBLIC STREET TO THE ENTRY OF THE LANEWAY SUITE,
-A MAXIMUM OF 90 METRES IN LENGTH MEASURED FROM THE PUBLIC STREET OR A FLANKING STREET THROUGH THE LANEWAY TO THE ENTRY OF THE LANEWAY SUITE ALONG WITH AT LEAST ONE ADDITIONAL FIRE-SAFETY MEASURE, ACCEPTABLE TO THE CITY OF TORONTO.
-A FIRE HYDRANT MUST ALSO BE LOCATED WITHIN 45 METRES OF WHERE A FIREFIGHTING VEHICLE WOULD PARK IN FRONT OF THE SUBJECT PROPERTY OR AT THE INTERSECTION OF A FLANKING STREET AND THE LANEWAY.

Additional Fire-Safety Measures

THERE ARE TWO OPTIONS FOR FIRE-SAFETY MEASURES DEVELOPED BY THE CITY OF TORONTO THAT DESIGNERS MAY INCORPORATE WITHIN THEIR LANEWAY SUITE DESIGNS TO ALLOW THE MAXIMUM TRAVEL DISTANCE TO INCREASE FROM 45 M TO 90 M:

OPTION 1: AUTOMATIC SPRINKLER; EXTERIOR STROBE LIGHT AND SMOKE ALARMS/WARNING SYSTEM

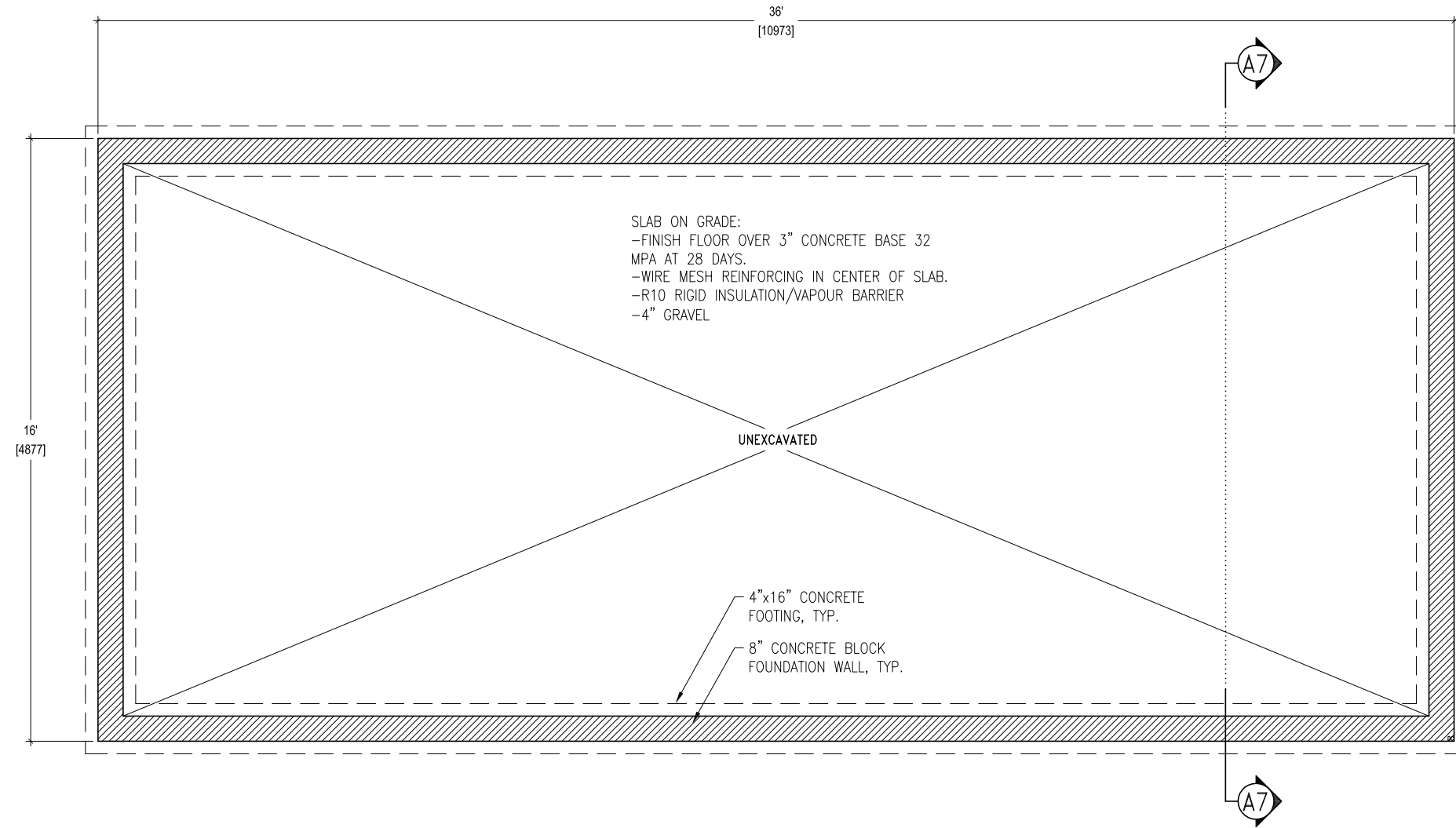
OPTION 2: INCREASED FIRE PROTECTION MATERIALS AND BUILDING METHODS; EXTERIOR STROBE LIGHT; AND SMOKE ALARMS/WARNING SYSTEM.

1	AS PER DIVISION COMMENTS	07/2025
NO.	REVISION	DATE
TITLE: TWO BEDROOM GARDEN SUITE PRE-APPROVED PLANS		
DATE:	MARCH 2025	DRAWING NO.:
SCALE:	1"=10'-0"	A1

CITY OF TORONTO
TORONTO BUILDING DIVISION
DEVELOPMENT AND GROWTH
SERVICES
100 QUEEN ST W
TORONTO, ON, M5H 2N2

G2H-1 PACKAGE
 GARDEN TWO
 BEDROOM HEAT
 PUMP-SPRINKLER
 OPTION

FOR
 REFERENCE
 ONLY



FOUNDATION PLAN

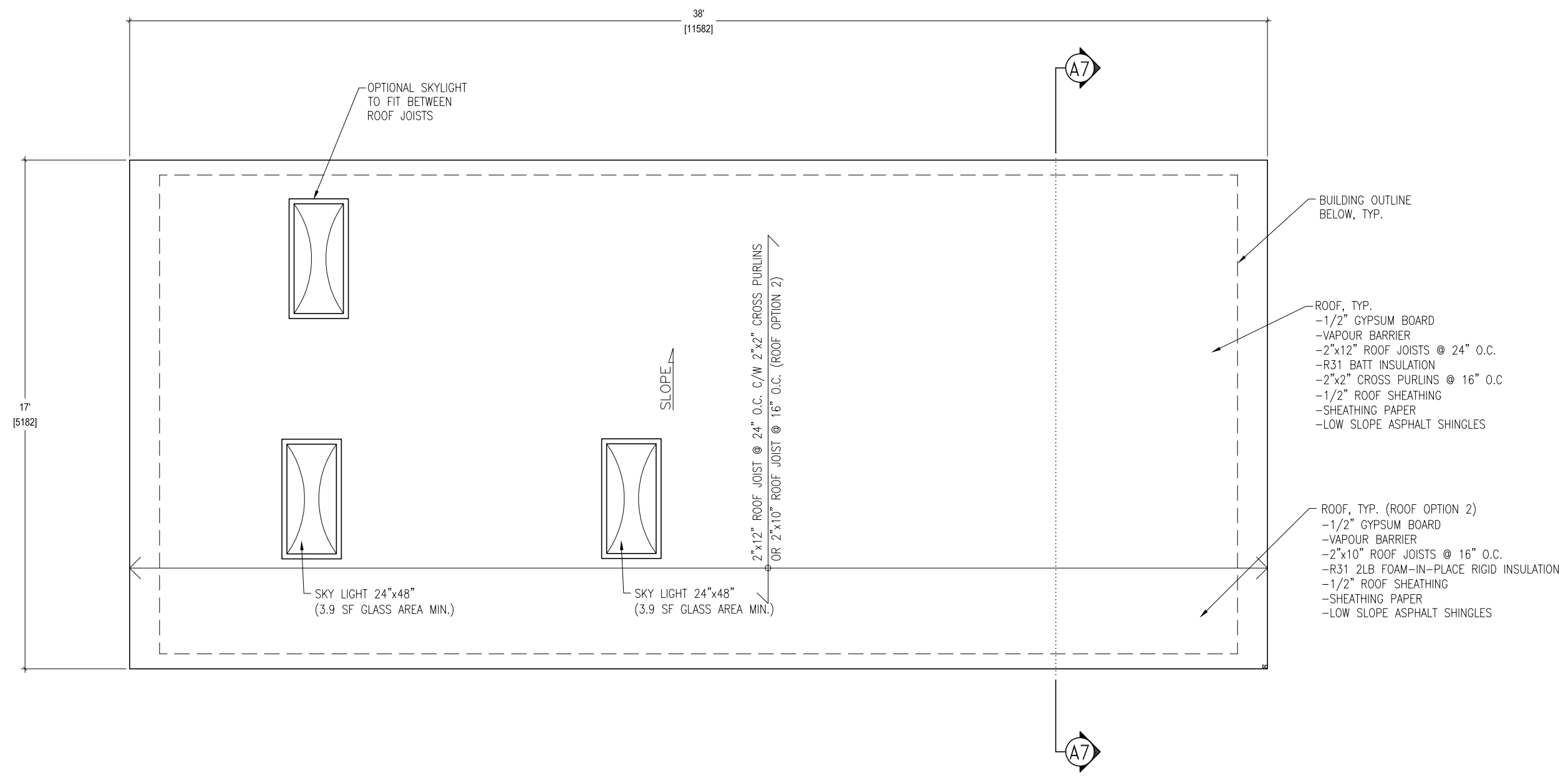
NO.	REVISION	DATE
1	AS PER DIVISION COMMENTS	07/2025
TITLE: TWO BEDROOM GARDEN SUITE PRE-APPROVED PLANS		
DATE:	MARCH 2025	DRAWING NO.:
SCALE:	1/4" = 1'-0"	A2



CITY OF TORONTO
 TORONTO BUILDING DIVISION
 DEVELOPMENT AND GROWTH
 SERVICES
 100 QUEEN ST W
 TORONTO, ON, M5H 2N2

G2H-1 PACKAGE
 GARDEN TWO
 BEDROOM HEAT
 PUMP-SPRINKLER
 OPTION

**FOR
 REFERENCE
 ONLY**



ROOF PLAN

1	AS PER DIVISION COMMENTS	07/2025
NO.	REVISION	DATE
TITLE: TWO BEDROOM GARDEN SUITE PRE-APPROVED PLANS		
DATE:	MARCH 2025	DRAWING NO.:
SCALE:	1/4" = 1'-0"	A4

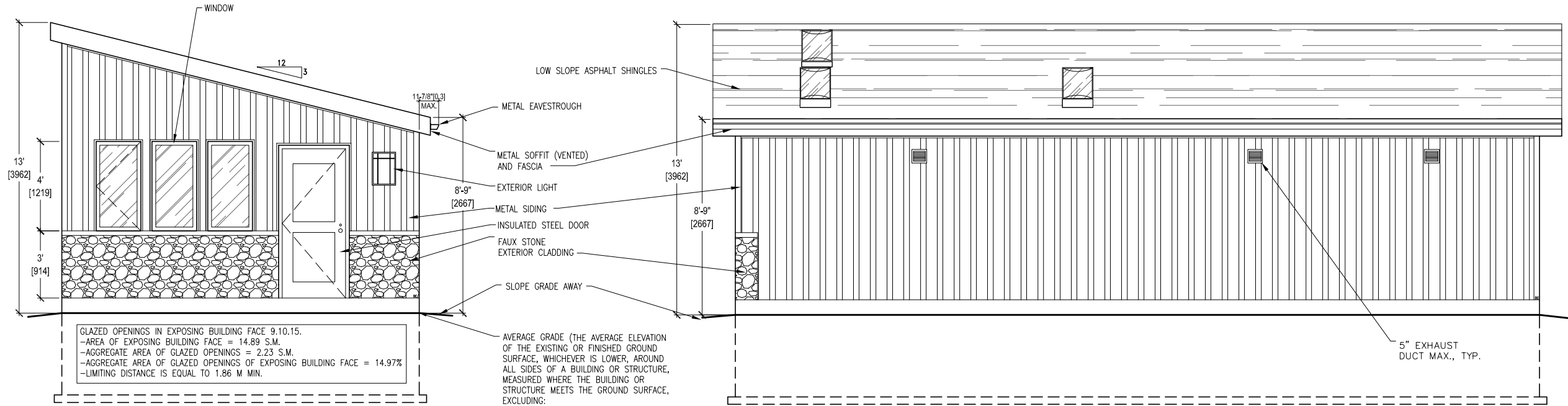
Toronto

CITY OF TORONTO
 TORONTO BUILDING DIVISION
 DEVELOPMENT AND GROWTH
 SERVICES
 100 QUEEN ST W
 TORONTO, ON, M5H 2N2

G2H-1 PACKAGE
GARDEN TWO
BEDROOM HEAT
PUMP-SPRINKLER
OPTION

FOR
REFERENCE
ONLY

ELEVATIONS (OPTION 1)

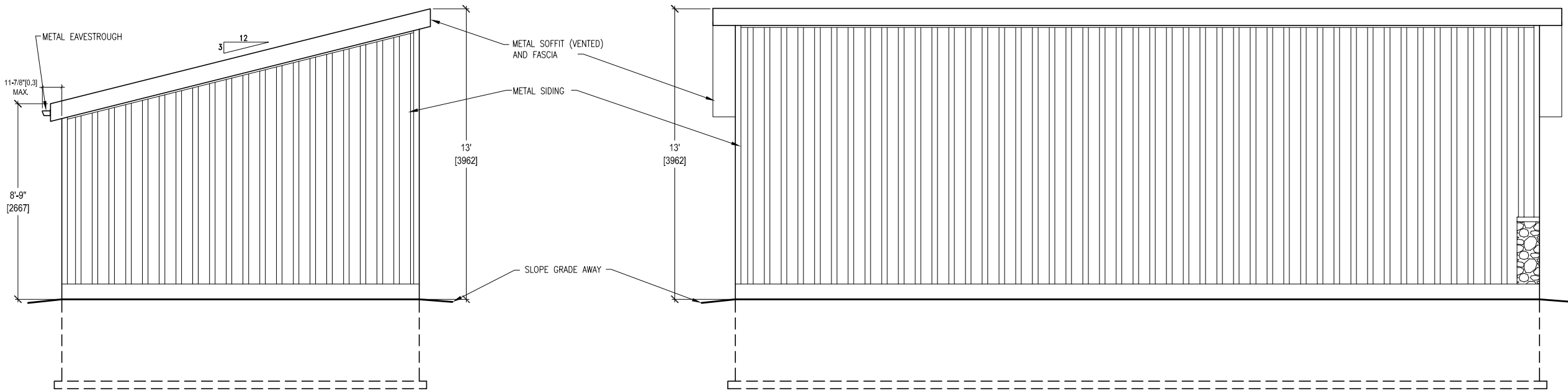


FRONT ELEVATION

1
A5

LEFT SIDE ELEVATION

2
A5



REAR ELEVATION

3
A5

RIGHT SIDE ELEVATION

4
A5

1 AS PER DIVISION COMMENTS 07/2025

NO. REVISION DATE

TITLE:
TWO BEDROOM GARDEN SUITE
PRE-APPROVED PLANS

DATE: MARCH 2025 DRAWING NO.:

SCALE: 3/16"=1'-0" A5

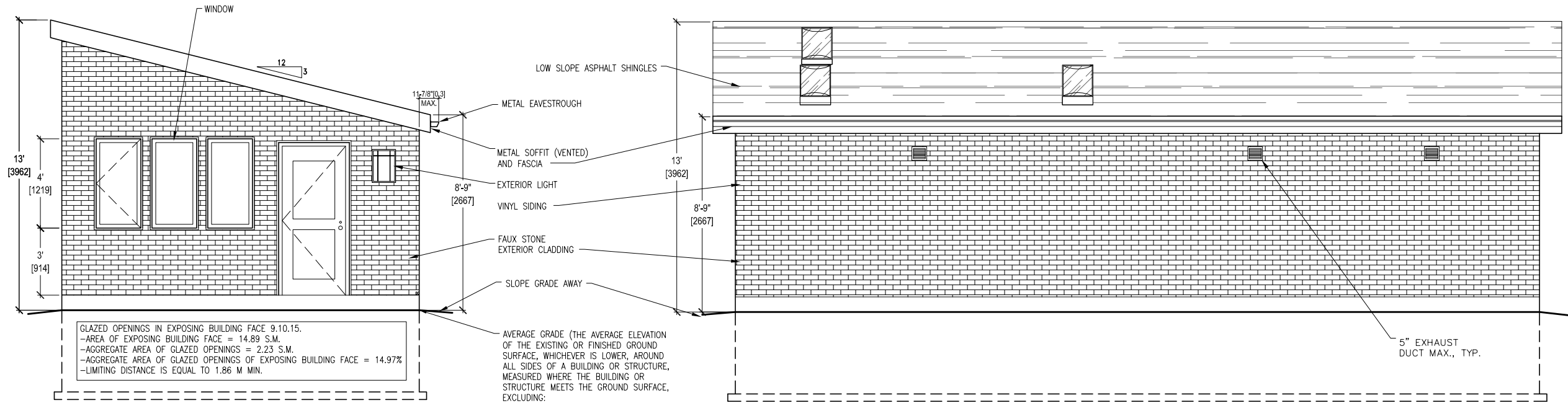


CITY OF TORONTO
TORONTO BUILDING DIVISION
DEVELOPMENT AND GROWTH
SERVICES
100 QUEEN ST W
TORONTO, ON, M5H 2N2

G2H-1 PACKAGE
GARDEN TWO
BEDROOM HEAT
PUMP-SPRINKLER
OPTION

FOR
REFERENCE
ONLY

ELEVATIONS (OPTION 2)



FRONT ELEVATION

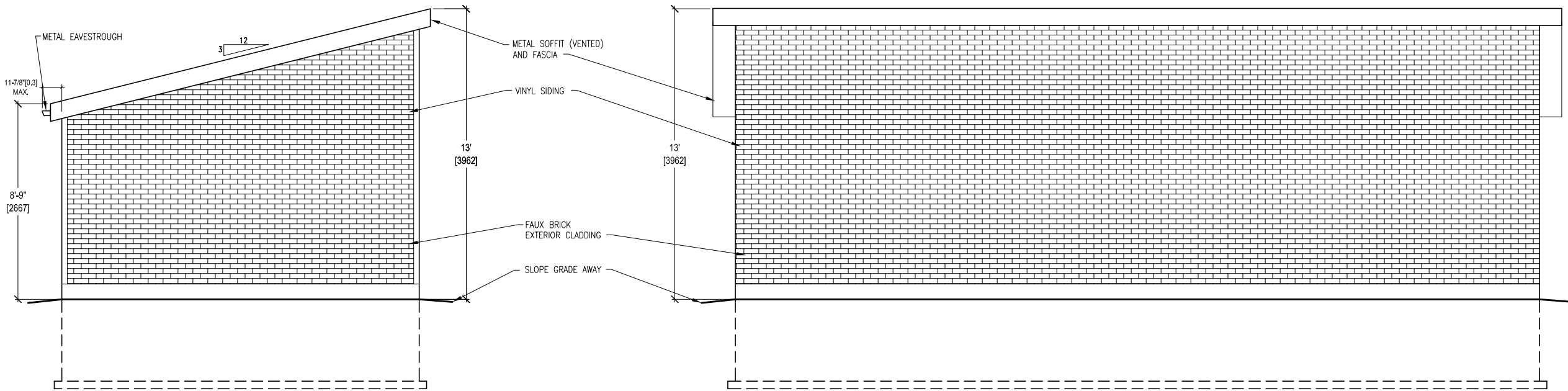
1
A6

LEFT SIDE ELEVATION

2
A6

GLAZED OPENINGS IN EXPOSING BUILDING FACE 9.10.15.
-AREA OF EXPOSING BUILDING FACE = 14.89 S.M.
-AGGREGATE AREA OF GLAZED OPENINGS = 2.23 S.M.
-AGGREGATE AREA OF GLAZED OPENINGS OF EXPOSING BUILDING FACE = 14.97%
-LIMITING DISTANCE IS EQUAL TO 1.86 M MIN.

AVERAGE GRADE (THE AVERAGE ELEVATION OF THE EXISTING OR FINISHED GROUND SURFACE, WHICHEVER IS LOWER, AROUND ALL SIDES OF A BUILDING OR STRUCTURE, MEASURED WHERE THE BUILDING OR STRUCTURE MEETS THE GROUND SURFACE, EXCLUDING:
A) THE PART OF THE GROUND ALONG ANY ONE MAIN WALL WHERE THERE IS A PERMITTED VEHICLE ENTRANCE INTO THE BUILDING OR STRUCTURE; AND
B) PARTS OF THE GROUND ALONG EACH MAIN WALL, UP TO A CUMULATIVE MAXIMUM OF 25% OF THE HORIZONTAL LENGTH OF THE MAIN WALL, WHERE THERE ARE PEDESTRIAN ENTRANCES OR WINDOW WELLS.



REAR ELEVATION

3
A6

RIGHT SIDE ELEVATION

4
A6

1	AS PER DIVISION COMMENTS	07/2025
NO. REVISION		DATE
TITLE: TWO BEDROOM GARDEN SUITE PRE-APPROVED PLANS		
DATE: MARCH 2025	DRAWING NO.:	
SCALE: 1/4" = 1'-0"	A6	

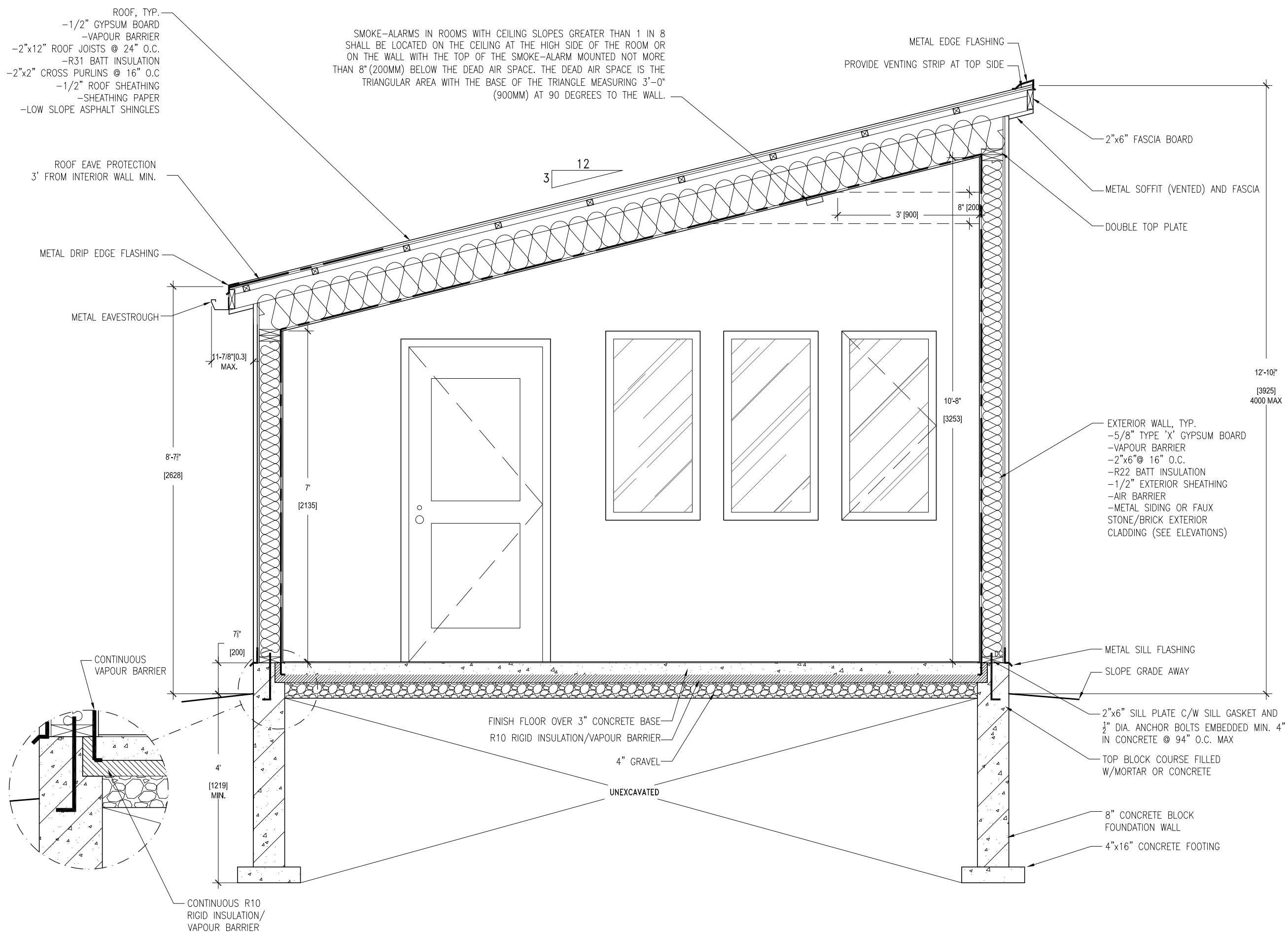


CITY OF TORONTO
TORONTO BUILDING DIVISION
DEVELOPMENT AND GROWTH
SERVICES
100 QUEEN ST W
TORONTO, ON, M5H 2N2

G2H-1 PACKAGE
GARDEN TWO
BEDROOM HEAT
PUMP-SPRINKLER
OPTION

FOR
REFERENCE
ONLY

BUILDING SECTION



1	AS PER DIVISION COMMENTS	07/2025
NO.	REVISION	DATE
TITLE: TWO BEDROOM GARDEN SUITE PRE-APPROVED PLANS		
DATE:	MARCH 2025	DRAWING NO.:
SCALE:	1/2" = 1'-0"	A7

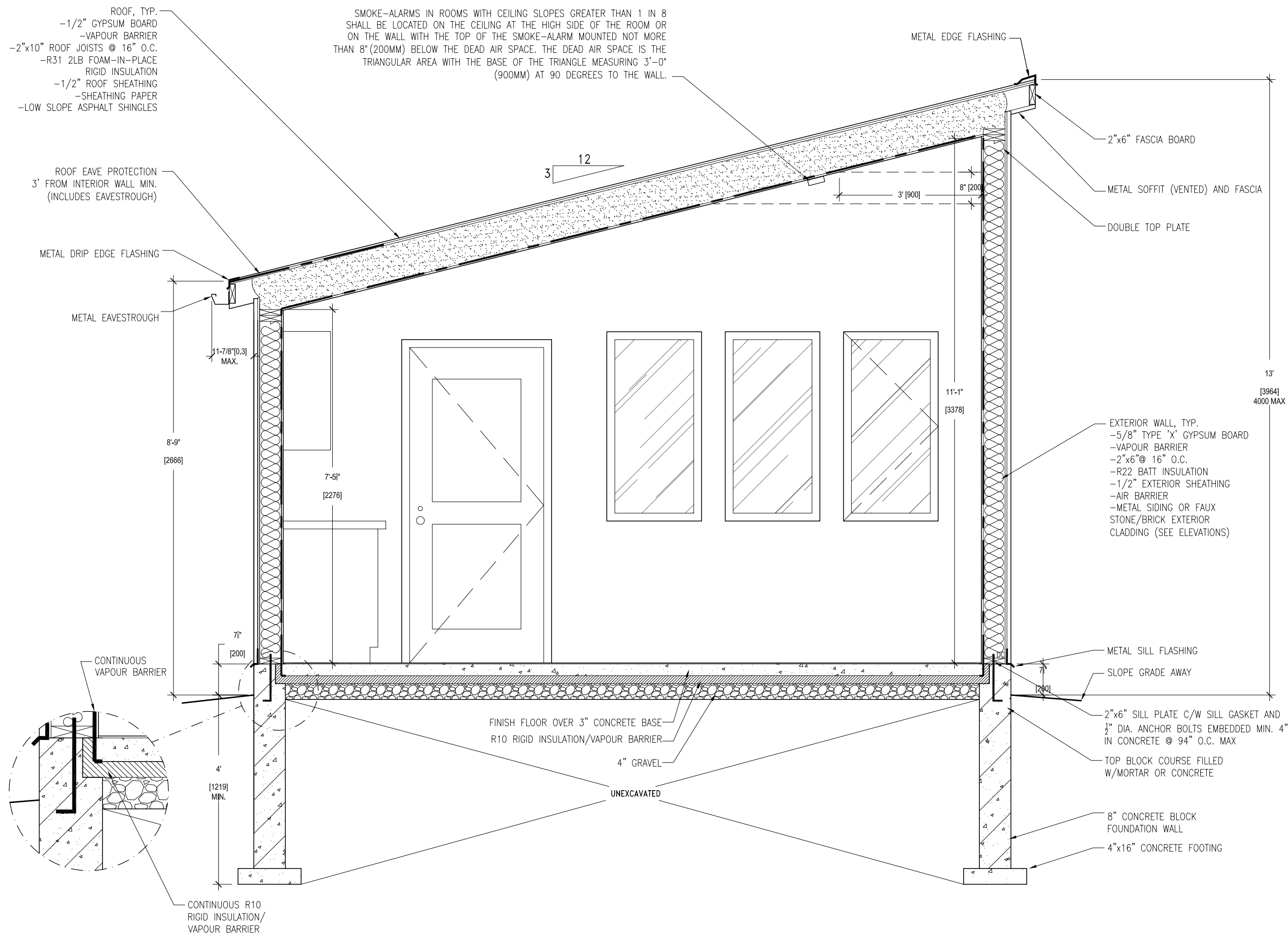
TORONTO

CITY OF TORONTO
TORONTO BUILDING DIVISION
DEVELOPMENT AND GROWTH
SERVICES
100 QUEEN ST W
TORONTO, ON, M5H 2N2

G2H-1 PACKAGE
GARDEN TWO
BEDROOM HEAT
PUMP-SPRINKLER
OPTION

FOR
REFERENCE
ONLY

BUILDING SECTION
(ROOF OPTION 2)



1	AS PER DIVISION COMMENTS	07/2025
NO.	REVISION	DATE
TITLE: TWO BEDROOM GARDEN SUITE PRE-APPROVED PLANS		
DATE:	MARCH 2025	DRAWING NO.:
SCALE:	1/2" = 1'-0"	A7-2

Toronto

CITY OF TORONTO
TORONTO BUILDING DIVISION
DEVELOPMENT AND GROWTH
SERVICES
100 QUEEN ST W
TORONTO, ON, M5H 2N2

EXCAVATIONS AND BACKFILL

- EXCAVATIONS SHALL PREVENT DAMAGE TO EXISTING STRUCTURES, ADJACENT PROPERTIES AND UTILITIES.
- EXCAVATIONS SHALL NOT IMPOSE INTO ANY ADJACENT PROPERTIES FOOTING'S ANGLE OF REPOSE UNLESS APPROVED AND MONITORED BY A PROFESSIONAL ENGINEER OF ONTARIO.
- EXCAVATION BASE SHALL BE FREE OF ANY ORGANIC MATERIALS.
- EXCAVATION BASE BEARING CAPACITY SHALL MEET THE ONTARIO BUILDING CODE MINIMUM UNLESS OTHERWISE STATED BY A PROFESSIONAL ENGINEER OF ONTARIO.

- ALL BACKFILL MATERIAL WITHIN 24" (600MM) OF THE FOUNDATION WALL SHALL BE FREE OF DELETERIOUS DEBRIS AND BOULDERS OVER 10" (250MM) DIAMETER.

FOOTINGS AND FOUNDATIONS

- FOOTINGS SHALL BE MINIMUM 20MPA POURED CONCRETE AND A MINIMUM OF 48" (1200MM) BELOW FINISHED GRADE.
- FOOTINGS SHALL BE FOUNDED ON NATURAL UNDISTURBED SOIL, ROCK OF COMPACTED GRANULAR FILL WITH A MINIMUM BEARING CAPACITY OF 11 PSI (75KPA).
- FOUNDATION WALLS SHALL EXTEND MINIMUM OF 7-7/8" (200MM) ABOVE FINISHED GRADE.
- MASONRY FOUNDATION WALLS SHALL BE PARGED WITH 1/4" (6MM) OF MORTAR COVED OVER THE FOOTING PRIOR TO DAMPPROOFING.

- FOUNDATION WALLS SHALL BE BRACED PRIOR TO BACKFILLING.
- THE EXTERIOR GRADING SHALL BE GRADED SO THAT THE SURFACE IS GRADING AWAY FROM THE BUILDING AND SHALL NOT ADVERSELY AFFECT ADJACENT PROPERTIES.

- WHERE A FOUNDATION BEARS ON GRAVEL, SAND OR SILT, AND THE WATER TABLE IS WITHIN A DISTANCE BELOW THE BEARING SURFACE EQUAL TO THE WIDTH OF THE FOUNDATION, THE ALLOWABLE BEARING PRESSURE SHALL BE 50% OF THAT DETERMINED IN ARTICLE 9.4.4.1. THE FOOTING WIDTH FOR WALLS AND FOOTING AREA FOR COLUMNS SHALL COMPLY WITH SENTENCE 9.15.3.6.(3).

CONCRETE FLOOR SLABS

- GARAGE, CARPORT AND EXTERIOR SLABS AND STEPS SHALL BE 32MPA CONCRETE WITH 5-8% AIR ENTRAINMENT.
- INTERIOR SLAB 25MPA CONCRETE, MINIMUM 3" (75MM) THICK OVER R10 RIGID INSULATION AND MINIMUM 4" (100MM) OF COARSE, CLEAN, GRANULAR MATERIAL.
- ATTACHED GARAGE CONCRETE SLABS SHALL BE SLOPED TO DRAIN TO THE EXTERIOR.

WOOD FRAME CONSTRUCTION

- ALL LUMBER SHALL BE SPRUCE-PINE-FIR NO. 1 & 2, CONTAIN A GRADE STAMP AND MAXIMUM MOISTURE CONTENT 19% AT TIME OF INSTALLATION.
- ALL FRAMING LUMBER WHICH ARE SUPPORTED ON CONCRETE IN DIRECT CONTACT WITH SOIL SHALL BE SEPARATED FROM THE CONCRETE WITH 0.05MM POLYETHYLENE OR TYPE 'S' ROLL ROOFING.
- ALL EXTERIOR FRAMING LUMBER SHALL BE PRESSURE TREATED LUMBER AND CUT ENDS ARE TO BE TREATED TO MAINTAIN TREATMENT.
- EXTERIOR WALLS AND INTERIOR LOAD BEARING WALLS TO CONTAIN SINGLE BOTTOM PLATE AND DOUBLE TOP PLATE.
- FLOOR JOIST TO HAVE MINIMUM 1-1/2" (38MM) OF END BEARING.
- FLOOR JOIST SHALL BEAR ON A SILL PLATE FIXED TO FOUNDATION WITH 1/2" (12.7MM) ANCHOR BOLTS SPACED 7'-10" (2400MM) MAX.
- HEADER JOIST BETWEEN 3'-11" (1200MM) AND 10'-6" (3200MM) IN LENGTH SHALL BE DOUBLED. HEADER JOIST EXCEEDING 10'-6" (3200MM) SHALL BE SIZED BY CALCULATIONS.
- TRIMMER JOIST SHALL BE DOUBLE WHEN SUPPORTED HEADER IS BETWEEN 2'-7" (800MM) AND 6'-8" (2000MM). TRIMMER JOISTS EXCEEDING 6'-6" (2000MM) SHALL BE SIZED BY CALCULATIONS.
- 2"x2" CROSS BRIDGING REQUIRED NOT MORE THAN 6'-10"

(2100MM) FROM EACH SUPPORTED AND OTHER CROSS BRIDGING.

- JOISTS SHALL BE SUPPORTED ON JOIST HANGERS AT ALL FLUSH BEAMS, TRIMMERS AND HEADERS.
- NON-LOADING WALLS SHALL BE SUPPORTED ON A DOUBLE JOIST OR ON WOOD BLOCKING SPACED 2'0" (600MM) O.C. BETWEEN JOISTS.
- HIP AND VALLEY RAFTER SHALL BE 2" (38MM) DEEPER THAN THE COMMON RAFTER.
- 2"x4" (38MM X89MM) COLLAR TIES WITH 1"x4" (19MM X 89MM) CONTINUOUS BRACE AT MID SPAN IF COLLAR TIE EXCEEDS 7'-10" (2400MM) IN LENGTH.

- HOLES IN FLOOR, ROOF AND CEILING MEMBERS TO BE NOT LARGER THAN 1/4 THE ACTUAL DEPTH OF MEMBER AND NOT LESS THAN 2" (50MM) FROM EDGES.

- HOLES IN FLOOR, ROOF AND CEILING MEMBERS TO BE LOCATED ON TOP OF THE MEMBER WITHIN 1/2 THE ACTUAL DEPTH FROM THE OF BEARING AND NOT GREATER THAN 1/3 THE JOIST DEPTH.
- WALL STUDS MAY BE NOTCHED OR DRILLED PROVIDED THAT NO LESS THAN 2/3 THE DEPTH OF THE STUD REMAINS, IF LOAD BEARING, AND 1-1/2" (40MM) IF NON-LOAD BEARING.
- ROOF TRUSSES MEMBERS SHALL NOT BE NOTCHED, DRILLED OR WEAKENED UNLESS ACCOMMODATED IN THE DESIGN.
- ENGINEERED LUMBER JOIST OR BEAMS CAN BE NOTCHED OR DRILLED AS PER MANUFACTURER'S SPECIFICATIONS AND RECOMMENDATIONS.

COLUMNS, BEAMS AND LINTELS

- STEEL BEAMS AND COLUMNS SHALL BE PRIMED.
- MINIMUM 3-1/2" (89MM) END BEARING FOR BEAMS WITH 7-1/2" SOLID MASONRY BENEATH THE BEAM.
- STEEL COLUMNS TO HAVE MINIMUM OUTSIDE DIAMETER OF 3" (73MM) AND 3/16" (5MM) MINIMUM THICKNESS.
- WOOD COLUMNS FOR CARPORTS AND GARAGES SHALL BE MINIMUM 3-1/2" X 3-1/2" (89MM X 89MM), IN ALL OTHER CASES EITHER 5-1/2" X 5-1/2" (140MM X 140MM) OR 7-1/2"(184MM) ROUND, UNLESS CALCULATIONS BASED ON ACTUAL LOADS SHOW LESSER SIZES ARE ADEQUATE. ALL COLUMNS SHALL BE NOT LESS THAN THE WIDTH OF THE SUPPORTED MEMBER.
- PROVIDE SOLID BLOCKING THE FULL WIDTH OF THE SUPPORTED MEMBER UNDER ALL CONCENTRATED LOADS.

- WHERE 38MM MEMBERS IN BUILT-UP WOOD BEAMS ARE NOT NAILED TOGETHER, THEY SHALL BE BOLTED W/ NOT LESS THAN 12.7MM DIAM BOLTS EQUIPPED WITH WASHERS SPACED NOT MORE THAN 1.2M O.C., END BOLTS LOCATED NOT MORE THAN 600MM FROM THE ENDS OF THE MEMBERS.

THERMAL INSULATION

- MINIMUM THERMAL PERFORMANCE REQUIREMENTS FOR SB12 PACKAGE A-1:

	ZONE 1
CEILING WITH ATTIC SPACE	R60
CEILING WITHOUT ATTIC SPACE	R31
EXPOSED FLOOR	R31
WALLS ABOVE GRADE	R22
BASEMENT WALLS	R20 C.I.
EDGE OF BELOW GRADE SLAB	R10
[≤ 1'-11" (600mm) BELOW GRADE]	
WINDOWS AND SLIDING GLASS DOORS	U 0.28 MAX.
SKYLIGHTS	U 0.50 MAX.
- INSULATION SHALL BE PROTECTED BY GYPSUM BOARD EXCEPT FOR UNFINISHED BASEMENTS WHERE 6ML POLY. IS SUFFICIENT FOR FIBERGLASS TYPE INSULATIONS.
- DUCTS THRU UNHEATED SPACE SHALL BE AIRTIGHT WITH TAPE OR SEALANT, DUCTS SHALL BE INSULATED WITH MINIMUM R12 (RSI 2.11).
- CAULKING SHALL BE APPLIED TO ALL EXTERIOR DOORS AND WINDOWS BETWEEN THE FRAME AND EXTERIOR CLADDING.
- WEATHERSTRIPPING SHALL BE PROVIDED ON ALL DOORS AND ACCESS HATCHES TO THE EXTERIOR, EXCEPT DOORS FROM A GARAGE TO THE EXTERIOR.
- EXTERIOR WALLS, CEILING AND FLOORS SHALL BE CONSTRUCTED SO AS TO PROVIDE A CONTINUOUS BARRIER TO THE PASSAGE OF WATER VAPOUR FROM.
- THE INTERIOR AND TO THE LEAKAGE OF AIR FROM THE EXTERIOR.

ROOFING

- FASTENERS FOR ROOFING SHALL BE CORROSION RESISTANT AND SHALL PENETRATE THROUGH OR AT LEAST 1/2" INTO ROOF SHEATHING.
- EVERY ASPHALT SHINGLE SHALL BE FASTENED WITH AT LEAST 4 NAILS FOR 3'-3" (1000MM) WIDE SHINGLE.
- EAVE PROTECTION SHALL EXTEND 3'-0" (900MM) UP THE ROOF SLOPE FROM THE EDGE, AND AT LEAST 1'-0" (300MM) FROM THE INSIDE FACE OF THE EXTERIOR WALL. EAVE PROTECTION IS NOT REQUIRED FOR UNHEATED BUILDINGS.
- OPEN VALLEYS SHALL BE FLASHED WITH 2 LAYERS OF ROLL ROOFING OR 1 LAYER OF METAL FLASHING.

- FLASHING SHALL BE PROVIDED AT SHINGLED ROOF AND EXTERIOR WALL OR CHIMNEY INTERSECTIONS.

- ACCESS TO ROOF ATTIC (>108 S.F. (10 S.M.)) TO BE MINIMUM 20" (500MM) X 28" (700MM) INSULATED AND WEATHERSTRIPPED.

- WHERE PANEL-TYPE ROOF SHEATHING REQUIRE EDGE SUPPORT, THE SUPPORT SHALL CONSIST OF METAL H CLIPS OR NOT LESS THAN (1-1/2 ") 38MM BY (1-1/2 ") 38MM BLOCKING SECURELY NAILED BETWEEN FRAMING MEMBERS. NOT REQUIRED WHEN TONGUED-AND-GROOVED EDGED PANEL-TYPE SHEATHING BOARD IS USED.

- EVERY ATTIC OR ROOF SPACE SHALL BE PROVIDED WITH AN ACCESS HATCH WHERE THE ATTIC OR ROOF SPACE MEASURES NOT LESS THAN 10M2 IN AREA, 1000MM IN LENGTH OR WIDTH, AND 600MM IN HEIGHT. THE HATCH SHALL BE NOT LESS THAN 22"x36" (550MM BY 900MM) EXCEPT THAT, WHERE THE HATCH SERVES NOT MORE THAN ONE DWELLING UNIT, THE MATCH MAY BE REDUCED TO 0.32M2 IN AREA WITH NO DIMENSION LESS THAN 20" (500MM).

NATURAL VENTILATION

- EVERY ROOF SPACE ABOVE AN INSULATED CEILING SHALL BE VENTILATED WITH OBSTRUCTED OPENINGS EQUAL TO NOT LESS THAN 1/300 OF THE INSULATED CEILING AREA.
- EVERY ROOF SPACE WITHOUT ATTIC SPACE SHALL BE VENTILATED WITH OBSTRUCTED OPENINGS EQUAL TO NOT LESS THAN 1/150 OF THE INSULATED CEILING AREA.
- ROOF VENTS SHALL BE UNIFORMLY DISTRIBUTED AND DESIGNED TO PREVENT THE ENTRY OF RAIN, SNOW OR INSECTS.

- UNHEATED CRAWL SPACE SHALL BE VENTED TO A MINIMUM 1 S.F. (0.1 S.M.) FOR EVERY 538 S.F. (500 S.M.).

- PROVIDE 4" (100MM) Ø VENT OPENING FOR COLD CELLAR WITHOUT WINDOWS AND DESIGNED TO PREVENT THE ENTRY OF OF RAIN, SNOW OR INSECTS.

DOOR AND WINDOWS

- EXTERIOR DWELLING DOORS AND WINDOWS WITHIN 6'-6" (2000MM) FROM GRADE SHALL BE CONSTRUCTED TO RESIST FORCED ENTRY. DOORS SHALL HAVE A DEADLOCK BOLT.
- 10% FLOOR AREA OF HABITABLE ROOMS TO EQUAL TRANSPARENT OPENINGS IN WINDOW, NATURAL VENTILATION 3 S.F. (0.279 S.M.) MINIMUM.
- 5% FLOOR AREA OF BEDROOMS TO EQUAL TRANSPARENT OPENINGS IN WINDOW OF 6 S.F. (0.557 S.M.) MINIMUM.

- PROVIDE STORM WINDOWS AND DOORS TO ALL EXTERIOR OPENINGS.

EXTERIOR WALLS

- NO WINDOWS OR OTHER UNPROTECTED OPENINGS ARE PERMITTED IN EXTERIOR WALLS LESS THAN 3'-11" (1200MM) FROM PROPERTY LINES.
- 5/8" (15.9MM) TYPE 'X' FIRE RATED GYPSUM BOARD SHALL BE INSTALLED ON THE INSIDE FACE EXTERIOR WALLS AND GABLE ENDS OF ROOFS WHICH ARE LESS THAN 3'-11"(1200MM) AND NOT LESS THAN 2' (600MM) FROM PROPERTY LINES.
- NON-COMBUSTIBLE CLADDING SHALL BE INSTALLED ON ALL EXTERIOR WALLS LESS THAN 2' (600MM) FROM PROPERTY LINES.

GARAGE GASPROOFING

- WALLS AND CEILING OF AN ATTACHED GARAGE SHALL BE CONSTRUCTED AND SEALED SO AS TO PROVIDE AN EFFECTIVE BARRIER TO EXHAUST FUMES.

- ALL PENETRATIONS THROUGH THE WALLS AND CEILING SHALL BE CAULKED.
- DOORS BETWEEN THE DWELLING AND ATTACHED GARAGE MAY NOT OPEN INTO A BEDROOM AND SHALL BE WEATHERSTRIPPED AND HAVE A SELF-CLOSER.

STAIRS

- STAIRS TO MEET OBC REQUIREMENTS:

MINIMUM RISE	4½" (125mm)
MAXIMUM RISE	7½" (200mm)
MINIMUM RUN	10" (255mm)
MAXIMUM RUN	13½" (355mm)
MINIMUM HEAD ROOM	6'-6½" (1950mm)
MINIMUM WIDTH	33½" (860mm)

- TAPERED TREADS SHALL HAVE A MINIMUM RUN OF 6" (150MM) AT THE NARROW END AND MINIMUM RUN FROM 12" (300MM) FROM THE NARROW END HANDRAIL CENTERLINE.

- WINDERS WHICH CONVERGE TO A POINT IN STAIRS MUST TURN THROUGH AN ANGLE OF NO MORE THAN 90° WITH NO LESS THAN 30° OR MORE THAN 45° PER TREAD. SETS OF WINDERS MUST BE SEPARATED IN PLANE BY AT LEAST 4'-0" (1200MM).

- A LANDING IS REQUIRED AT THE TOP OF ANY STAIR LEADING TO THE PRINCIPAL ENTRANCE TO A DWELLING AND OTHER EXTERIOR ENTRANCES WITH MORE THAN THREE RISERS.

- EXTERIOR CONCRETE STAIRS WITH MORE THAN TWO RISERS REQUIRE FOUNDATION.

HANDRAILS AND GUARDS

- A HANDRAIL IS REQUIRED FOR INTERIOR STAIRS CONTAINING MORE THAN TWO RISERS AND EXTERIOR STAIRS CONTAINING MORE THAN THREE RISERS.

- GUARDS ARE REQUIRED ROUND EVERY ACCESSIBLE SURFACE WHICH IS MORE THAN 2'-0" (600MM) ABOVE THE ADJACENT LEVEL AND WHERE THE ADJACENT SURFACE WITHIN 1.2 M.

- INTERIOR AND EXTERIOR GUARDS MINIMUM 3'-0" (900MM) HIGH. EXTERIOR GUARDS MINIMUM 3'-6" (1070MM) HIGH WHERE HEIGHT ABOVE ADJACENT SURFACE EXCEEDS 5'-10" (1800MM).

- GUARDS SHALL HAVE OPENINGS SMALLER THAN 4" (100MM) AND NO MEMBER BETWEEN 5'-1/2" (140MM) AND 3'-0" (900MM) THAT WILL FACILITATE CLIMBING.

ALARMS AND DETECTORS

- AT LEAST ONE SMOKE ALARM SHALL BE INSTALLED ON OR NEAR THE CEILING IN EACH FLOOR AND BASEMENT LEVEL 3'-0" (900MM) OR MORE ABOVE AN ADJACENT LEVEL.
- SMOKE ALARMS SHALL BE INTERCONNECTED AND LOCATED IN EVERY BEDROOM C/W VISUAL COMPONENT.
- A CARBON MONOXIDE ALARM SHALL BE INSTALLED ADJACENT TO EVERY SLEEPING AREA FOR DWELLINGS WITH FUEL BURNING FIREPLACE OR STOVE, OR ATTACHED GARAGE.
- SMOKE-ALARMS SHALL BE LOCATED ON THE CEILING AT LEAST 4" (100MM) FROM ANY WALL MEASURED TO THE NEAREST EDGE OF THE UNIT OR ON A WALL WITH THE TOP EDGE 4" TO 12" (100 TO 300MM) FROM THE CEILING.

- SMOKE-ALARMS IN ROOMS WITH CEILING SLOPES GREATER THAN 1 IN 8 SHALL BE LOCATED ON THE CEILING AT THE HIGH SIDE OF THE ROOM OR ON THE WALL WITH THE TOP OF THE SMOKE-ALARM MOUNTED NOT MORE THAN 8" (200MM) BELOW THE DEAD AIR SPACE. THE DEAD AIR SPACE IS THE TRIANGULAR AREA WITH THE BASE OF THE TRIANGLE MEASURING 3'-0" (900MM) AT 90 DEGREES TO THE WALL.

- SMOKE-ALARMS SHALL BE LOCATED WHERE THEY WILL BE EXPOSED TO AIR FLOW DURING A FIRE CONDITION, AND SHALL NOT BE LOCATED IN THE VICINITY OF "DEAD" AIR SPACES.

- ON CEILINGS WITH EXPOSED JOISTS OR BEAMS, SMOKE-ALARMS SHALL BE MOUNTED ON THE BOTTOM OF JOISTS OR BEAMS. (REFER TO FIGURE 3 AND APPENDIX A.)

ROOF DRAINAGE

- ROOF WATER FROM UPPER ROOF LEVEL SHALL BE PIPED DIRECTLY TO GRADE AWAY FROM THE BUILDING.
- NO ROOF WATER TO DRAIN TO ADJACENT PROPERTIES.

PLUMBING

- EVERY DWELLING REQUIRES A KITCHEN SINK, LAVATORY, TOILET, BATHTUB OR SHOWER STALL AND THE INSTALLATION OR AVAILABILITY OF LAUNDRY FACILITIES.
- WHERE PIPING MAY BE EXPOSED TO FREEZING CONDITIONS, IT SHALL BE PROTECTED FROM THE EFFECTS OF FREEZING [REFER TO 7.3.5.4.]

ELECTRICAL

- AN EXTERIOR LIGHT CONTROLLED BY AN INTERIOR SWITCH IS REQUIRED AT EVERY ENTRANCE.
- A LIGHT CONTROLLED BY A SWITCH IS REQUIRED IN EVERY KITCHEN, BEDROOM, LIVING ROOM, UTILITY ROOM, LAUNDRY ROOM, DINING ROOM, BATHROOM, VESTIBULE, HALLWAY, GARAGE AND CARPORT. A SWITCH RECEPTACLE MAY BE PROVIDED INSTEAD OF A LIGHT IN BEDROOMS AND LIVING ROOMS.
- STAIRS SHALL BE LIGHTED AND EXCEPT WHERE SERVING AN UNFINISHED BASEMENT SHALL BE CONTROLLED BY A THREE WAY SWITCH AT THE TOP AND BASE OF THE STAIRS.
- BASEMENTS REQUIRE A LIGHT FOR EACH 323 S.F 30 S.M.) CONTROLLED BY A SWITCH AT THE TOP OF THE STAIRS.

MECHANICAL VENTILATION

- A MECHANICAL VENTILATION SYSTEM IS REQUIRED WITH A TOTAL CAPACITY AT LEAST EQUAL TO THE SUM OF:
 - 10.0 L/S EACH FOR BASEMENT AND MASTER BEDROOM
 - 5.0 L/S FOR EACH OTHER ROOM
- A PRINCIPAL DWELLING EXHAUST SHALL BE INSTALLED AND CONTROLLED BY A CENTRALLY LOCATED SWITCH IDENTIFIED AS SUCH.
- SUPPLEMENTAL EXHAUST SHALL BE INSTALLED SO THAT THE TOTAL CAPACITY OF ALL KITCHEN, BATHROOMS AND OTHER EXHAUSTS, LESS THE PRINCIPAL EXHAUST, IS NOT LESS THAN THE TOTAL REQUIRED CAPACITY.

- A HEAT RECOVERY VENTILATOR MAY BE EMPLOYED IN LIEU OF EXHAUST TO PROVIDE VENTILATION. AN HRV IS REQUIRED IF ANY SOLID FUEL BURNING APPLIANCES ARE INSTALLED.

- SUPPLY AIR INTAKES SHALL BE LOCATED SO AS TO AVOID CONTAMINATION FROM EXHAUST OUTLETS.

FIRE FIGHTER ACCESS ROUTE

- ACCESS PATHS FROM THE STREET TO THE FRONT DOOR OF THE GARDEN SUITE SHALL BE CONSTRUCTED OF CONCRETE, ASPHALT, BRICK, OR ALTERNATE HARD SURFACE.
- GRADIENT CHANGES, INCLUDING STAIRS, ARE BUILDING CODE COMPLIANT.
- NO LOCKED GATES ALONG PATH OF TRAVEL.
- THE HORIZONTAL PATH OF TRAVEL PERMITS THE TRANSPORT OF A 24-FOOT EXTENSION LADDER (COLLAPSED LENGTH - 12 FEET FOR A SMOOTH PATH OF TRAVEL TO NAVIGATE AND AVOID ANY SHARP TURNING RADIUS).
- ACCESS PATHS MUST REMAIN UNOBSTRUCTED AND CLEAR OF SNOW AND ICE.

GENERAL NOTES

- ALL DRAWINGS AND SPECIFICATIONS ARE THE PROPERTY OF THE CITY OF TORONTO AND ARE TO BE USED FOR BUILDING PERMITS WITHIN THE CITY OF TORONTO.
- THE CONTRACTOR SHALL CHECK AND VERIFY ALL DIMENSION AND EXISTING CONDITIONS.
- INSTALL EXTERIOR CLADDING AS PER MANUFACTURER'S SPECIFICATIONS AND DETAILS.
- INSTALL FLASHING, TRIM AND CAULKING TO EXTERIOR CLADDING TO PREVENT WATER PENETRATIONS.
- INSTALL ROOF SKYLIGHT AS PER MANUFACTURER'S SPECIFICATIONS AND DETAILS.
- INSTALL KITCHEN AND WASHROOM CABINETS AS PER MANUFACTURER'S SPECIFICATIONS AND DETAILS.
- INSTALL INTERIOR TRIM, FLOORING AND DOORS AS PER MANUFACTURER'S SPECIFICATIONS AND DETAILS.
- DESIGN LOADS:
 - UNIFORMLY DISTRIBUTED LIVE LOAD 1.9 KPA AND SNOW LOAD 1.2 KPA.

G2H-1 PACKAGE
GARDEN TWO
BEDROOM HEAT
PUMP-SPRINKLER
OPTION

FOR
REFERENCE
ONLY

SPECIFICATIONS

1	AS PER DIVISION COMMENTS	07/2025
NO.	REVISION	DATE
TITLE: TWO BEDROOM GARDEN SUITE PRE-APPROVED PLANS		
DATE:	MARCH 2025	DRAWING NO.:
SCALE:	NTS	A8



CITY OF TORONTO
TORONTO BUILDING DIVISION
DEVELOPMENT AND GROWTH
SERVICES
100 QUEEN ST W
TORONTO, ON, M5H 2N2

G2H-1 PACKAGE
GARDEN TWO
BEDROOM HEAT
PUMP-SPRINKLER
OPTION

FOR
REFERENCE
ONLY

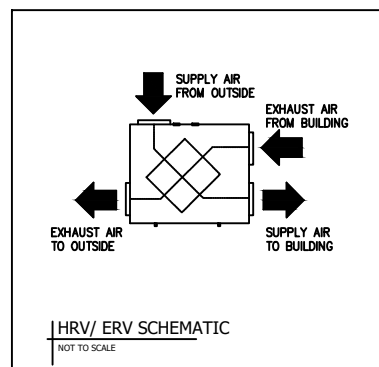
LOW AMBIENT TEMPERATURE HEAT PUMP							
UNIT	MODEL #	HEAT CAPACITY (@17F)	COOLING CAPACITY (RATED)	ENERGY STAR	SEER HSPV (IV)	COMPRESSOR	POWER
IU-1	INDOOR UNIT	1,600-18,000 BTU/H	1,700-12,000 BTU/H	YES	30.5 12.5		
OU-1	OUTDOOR UNIT	19,600	9,000 BTU/H	YES		VARIABLE SPEED COMPRESSOR	208/230 v, 1 Phase, 60 Hz

BATHROOM EXHAUST FAN							
UNIT	MAKE	MODEL #	AIR FLOW (CFM)	NOISE LEVEL	POWER RATING	DUCT SIZE (Ø)	DC MOTOR
EF-1	EXHAUST FAN	GENERIC	80	0.3	120V/1PH/60HZ	6"	

ENERGY RECOVERY FAN				
UNIT	MAKE	EXTERNAL STATIC PRESSURE (IN W.C.)	AIR VOLUME (CFM)	EFFECTIVENESS @0 °C (32 °F)
ERV-1	ENERGY RECOVERY VENTILATOR	0.4	60	75%

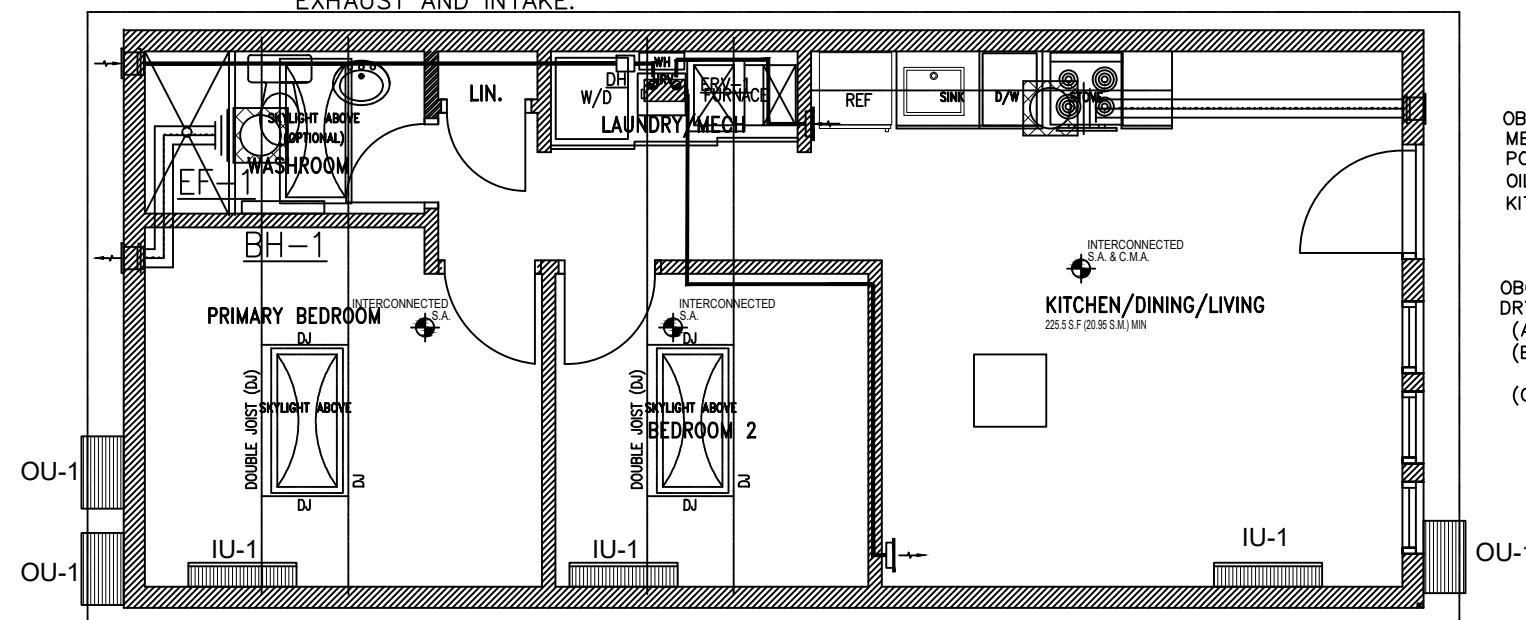
ELECTRIC BASEBOARD HEATER			
UNIT	MAKE	MODEL #	HEATING OUTPUT
BH-1	ELEC. BASEBOARD HEATER	GENERIC	1909 BTU/h (563 W)

INSTALL COLD-CLIMATE HEAT PUMP



PROVIDE 0.5 kW DUCT HEATER FOR ERV TO TEMPER FRESH AIR BEFORE DISTRIBUTION.
ERV TO BE INSTALLED AS PER MANUFACTURER SPECIFICATION.
ENSURE 10' BETWEEN AIR EXHAUST AND INTAKE.

EXHAUST FAN KITCHEN 110 CFM/ Ø6"/1.3 SONES OR RANGE HOOD (MIN 100CFM & TO BE SELECTED BY CONTRACTOR WITH OWNER/ ARCHITECT).



OBC 9.32.3.13.(3) THE DISTANCE SEPARATING AIR INTAKES FOR MECHANICAL VENTILATION FROM EXHAUST OUTLETS THAT ARE POTENTIAL SOURCES OF CONTAMINANTS, SUCH AS GAS VENTS OR OIL FILL PIPES, SHALL BE NOT LESS THAN 1800 mm. (REFER TO KITCHEN EXHAUST AND ERV/HRV INTAKE LOCATIONS).

OBC 6.3.2.10.(7) EXHAUST DUCTS CONNECTED TO LAUNDRY DRYING EQUIPMENT SHALL BE,
(A) INDEPENDENT OF OTHER EXHAUST DUCTS,
(B) DESIGNED AND INSTALLED THAT THE ENTIRE DUCT CAN BE CLEANED, AND
(C) CONSTRUCTED OF SMOOTH CORROSION-RESISTANT MATERIAL.

TWO BEDROOM GARDEN SUITE

SB-12 Table 3.1.1.2.A (IP), ZONE 1 - COMPLIANCE PACKAGE A1
TOTAL HEAT LOSS-15111 BTU/H

1	AS PER DIVISION COMMENTS	07/2025
NO.	REVISION	DATE
TITLE: TWO BEDROOM GARDEN SUITE PRE-APPROVED PLANS		
DATE:	MARCH 2025	DRAWING NO.:
SCALE:	3/16"=1'	M1

CITY OF TORONTO
TORONTO BUILDING DIVISION
DEVELOPMENT AND GROWTH
SERVICES
100 QUEENS ST W
TORONTO, ON, M5H 2N2

NEW PLUMBING CONNECTION TO BE IN ACCORDANCE WITH OBC 7.1.2.4.

INSULATE ALL PIPES EXPOSED TO UNCONDITIONED SPACE, PROTECTION AGAINST FREEZING, AS PER OBC 7.3.5.3.

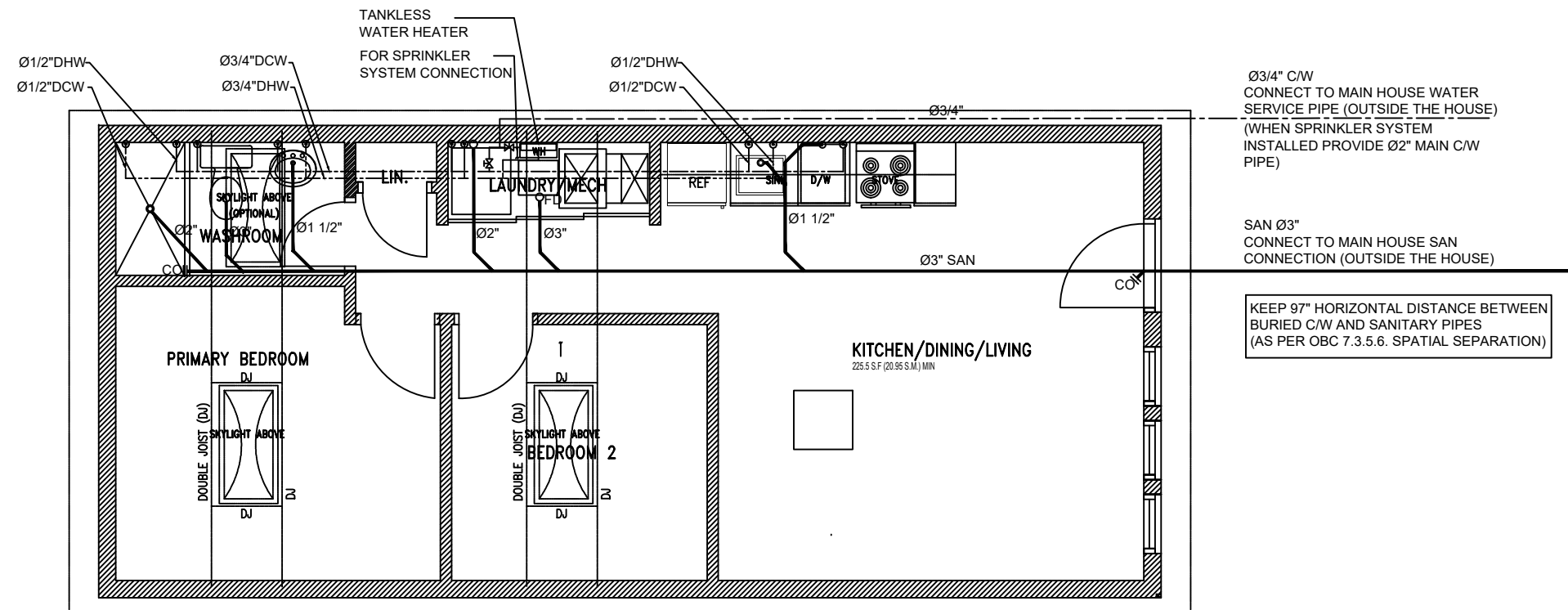
INSTALL SANITARY CLEANOUT AT EACH CHANGE OF DIRECTION GREATER THAN 45 DEG, AS PER OBC 7.4.7.1.

EVERY DRAINAGE PIPE SHALL HAVE A DOWNWARD SLOPE IN THE DIRECTION OF FLOW OF AT LEAST 1 IN 50, AS PER OBC 7.4.8.

TRAP PROTECTION TO BE INSTALLED AS PER OBC 7.4.5.

CONTRACTOR TO VERIFY IF ANY PIPING IS TOO LOW TO DRAIN BY GRAVITY. IF TOO LOW, SUBMIT PLUMBING DESIGN REVISION TO INCLUDE SEWAGE EJECTOR PUMP.

OBC 7.4.9.3.(3) WHERE CLOTHES WASHERS DO NOT DRAIN TO A LAUNDRY TRAY, THE TRAP INLET SHALL BE NOT LESS THAN NPS 2 AND BE FITTED WITH A VERTICAL STANDPIPE THAT IS NOT LESS THAN 600 mm LONG MEASURED FROM THE TRAP WEIR AND TERMINATES ABOVE THE FLOOD LEVEL RIM OF THE CLOTHES WASHER.



G2H-1 PACKAGE
GARDEN TWO
BEDROOM HEAT
PUMP-SPRINKLER
OPTION

FOR
REFERENCE
ONLY

1	AS PER DIVISION COMMENTS	07/2025
NO.	REVISION	DATE
TITLE: TWO BEDROOM GARDEN SUITE PRE-APPROVED PLANS		
DATE:	MARCH 2025	DRAWING NO.:
SCALE:	3/16"=1'	P1

TWO BEDROOM GARDEN SUITE

CITY OF TORONTO
TORONTO BUILDING DIVISION
DEVELOPMENT AND GROWTH
SERVICES
100 QUEENS ST W
TORONTO, ON, M5H 2N2

PLUMBING AND DRAINAGE NOTES

- ALL DRAINAGE PIPING 3" OR LESS SHALL BE SLOPPED IN THE DIRECTION OF FLOW.
- ALL DRAINAGE PIPING 4" OR LARGER SHALL BE SLOPPED IN THE DIRECTION OF THE FLOW.
- SANITARY DRAIN AND VENT PIPING ABOVE GRADE SHALL BE TYPE:
DMW HRD COPPER FITTINGS TO ASTM B306. WITH CAST BRASS OR WROUGHT COPPER CERTIFIED TO CAN/CSA B125, OR ABS SCHEDULE 40 PLASTIC PIPE CERTIFIED TO CAN/CSA-B181.1,
PVC SCHEDULE 40 PLASTIC PIPE CERTIFIED TO CAN/CSA-B181.12.,
XFR-PVC SCHEDULE 40 CERTIFIED TO CAN/CSA B181.2, "PVC DRAIN, WASTE AND VENT PIPE FITTINGS".
IPEX-SYSTEM 15 (DWV) SCHEDULE 40 CERTIFIED TO CAN/CSA-B181.2, "PVC DRAIN, WASTE AND VENT PIPE AND FITTINGS", OR CAST IRON PIPE CERTIFIED TO ASTM A888, PLAIN ENDS, ALL COUPLINGS SHALL BE HUBLESS JOINTS COUPLINGS WITH NEOPRENE GASKETS AND STAINLESS STEEL SHIELD AND CLAMPS.
- SANITARY DRAIN PIPING BELOW GRADE SHALL BE HUBLESS CAST IRON PIPE CERTIFIED TO ASTM A888, PLAIN ENDS, ALL COUPLINGS SHALL BE HUBLESS JOINT COUPLINGS WITH NEOPRENE GASKETS AND STAINLESS STEEL SHIELD AND CLAMPS.
DRAIN BELOW GRADE SHALL BE ABS SDR. USED UNDERGROUND OUTSIDE OF BUILDING OR UNDER A BUILDING. SANITARY DRAINAGE SYSTEM SHALL BE CERTIFIED TO CAN/CSA-B182.2, CAN/CSA-B181.1, OR DRAIN BELOW GRADE SHALL BE PLASTIC PIPE, USED UNDERGROUND OUTSIDE OF BUILDING OR UNDER THE BUILDING. A SANITARY DRAINAGE SYSTEM OR VENTING SYSTEM SHALL BE CERTIFIED TO (C) CAN/CSA-B181.2, "PVC DRAIN, WASTE AND VENT PIPE AND PIPE FITTINGS. IPEX-SYSTEM 15 (DWV) SCHEDULE 40 CERTIFIED TO CAN/CSA-B181.2., IPEX BDS (BUILDIND DRAIN, SEWER AND STORM) CERTIFIED TO CAN/CSA.

- PUMPED DRAIN PIPING BELOW GRADE SHALL BE TYPE K SOFT COPPER, ASTM B88 SEAMLESS PLAIN ENDS.
- PROVIDE TRAP SEAL PRIMING TO ALL FLOOR DRAINS AS INDICATED WITH P-TRAPS IN ACCORDANCE WITH ONTARIO BUILDING CODE, PART 7 AND THE REQUIREMENTS OF ALL LOCAL AUTHORITIES HAVING JURISDICTION.
- LOCATE AND CONFIRM ELEVATIONS OF ALL SANITARY DRAINAGE TIE-IN POINTS.
- INSTALL AND TEST ALL PLUMBING AND DRAINAGE SYSTEMS IN ACCORDANCE WITH ONTARIO BUILDING CODE AND THE REQUIREMENTS OF ALL LOCAL AUTHORITIES HAVING JURISDICTION.
- FINAL LOCATIONS OF ALL FLOOR DRAINS TO BE CONFIRMED IN THE FIELD TO SUIT PROCESS EQUIPMENT LAYOUT AND INTERIOR WALLS.

ALL SANITARY VENT TERMINALS THAT PASSES THROUGH EXTERIOR WALLS SHALL BE VERTICAL, MINIMAL SIZE OF 3" AND TERMINATE A MINIMAL DISTANCE OF 1 METER ABOVE FROM ANY OPENABLE WINDOW, DOOR AND AIR INLET OR CONNECT DIRECTLY TO A BRANCH VENT OR VENT STACK WITHIN THE BUILDING.

PROVIDE SHUT OFF VALVES FOR A HOT AND COLD WATER SUPPLY LINES FOR EVERY INDIVIDUAL RESIDENTIAL SUITE IN ORDER TO INSULATE INDIVIDUAL SUITE WITHOUT AFFECTING THE WATER SUPPLY TO ANY OTHER AREA WITHIN THE BUILDING.

REMOVE CAPS FROM TEMPERATURE AND PRESSURE SAFETY RELIEF VALVE PARTS ON HOT WATER TANKS AND INSTALL TEMPERATURE AND PRESSURE SAFETY RELIEF VALVES.

PROVIDE A MIXING VALVE OR OTHER MEANS TO MAINTAIN A MAXIMUM HOT WATER TEMPERATURE OF 49°C TO ALL RESIDENTIAL SUITE.

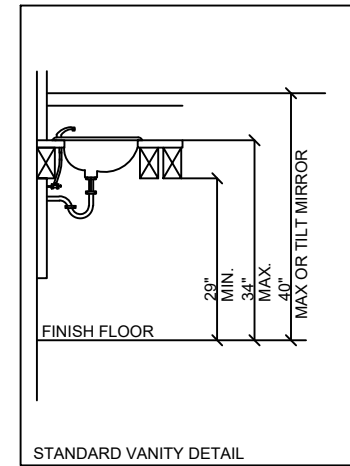
PROVIDE A TRAP SEAL PRIMER OR AN EQUALLY EFFECTIVE WAY TO PROVIDE A TRAP SEAL FOR ALL FLOOR DRAINS AND TUB DOORS.

FIRE RATED PVC (XFR) PIPES SHALL BE USED FOR EACH PIPE PENETRATES THRU FIRE RATED ASSEMBLY.
ABS PIPES CAN BE USED WITHIN THE UNITS. PROVIDE FIRE STOP DONUTS AT EACH PIPE PENETRATION THRU FIRE RATED ASSEMBLY.

PROVIDE VALVE 1/2" COLD/ HOT WATER PIPING CONNECTIONS TO ALL PLG FIXTURES.

ALL SANITARY PIPES UNDER RAISED FLOOR OR SLAB, AND C/W AND H/W PIPE IN CEILING.

CONTRACTOR TO LOCATE ON SITE CONNECTION MAIN COLD WATER LINE, HOT WATER TANK AND DRAIN LINES IN MAIN BUILDING.



PLUMBING LEGEND	
	SANITARY DRAINAGE
	DOMESTIC COLD WATER
	DOMESTIC HOT WATER
	CEANOUT
	FLOOR DRAIN

PLUMBING FIXTURE CONNECTION						
TAG	DESCRIPTION	WATER		DRAIN		
		H.W.	H.W.	WASTE	VENT	
WC	WATER CLOSET	-	1/2"	3"	1 1/2"	
L	LAVATORY	1/2"	1/2"	1 1/2"	1 1/4"	
KS	KITCHEN SINK	1/2"	1/2"	2"	1 1/2"	
FD	FLOOR DRAIN	-	-	3"	1 1/2"	
SH	SHOWER	1/2"	1/2"	1 1/2"	1 1/4"	
TUB	BATH TUB	1/2"	1/2"	2"	1 1/2"	
DW	DISHWASHER	1/2"	-	2"	1 1/2"	

G2H-1 PACKAGE
GARDEN TWO
BEDROOM HEAT
PUMP-SPRINKLER
OPTION

**FOR
REFERENCE
ONLY**

1	AS PER DIVISION COMMENTS	07/2025
NO.	REVISION	DATE
TITLE: PLUMBING NOTES PRE-APPROVED PLANS		
DATE:	MARCH 2025	DRAWING NO.:
SCALE:	3/16"=1'	P2

CITY OF TORONTO
TORONTO BUILDING DIVISION
DEVELOPMENT AND GROWTH
SERVICES
100 QUEENS ST W
TORONTO, ON, M5H 2N2

OPTION 1: AUTOMATIC SPRINKLER; EXTERIOR STROBE LIGHT AND SMOKE ALARMS/WARNING SYSTEM

AUTOMATIC SPRINKLER NOTES

-INCORPORATE WITHIN THE BUILDING AN AUTOMATIC SPRINKLER SYSTEM DESIGNED TO NFPA 13D STANDARD.

EXTERIOR STROBE LIGHT NOTES

- MUST HAVE A STROBE LIGHT ON THE EXTERIOR SIDE OF THE BUILDING FACING THE LANEWAY.
- MUST CONFIRM TO CAN/ULC-S540, "RESIDENTIAL FIRE AND LIFE SAFETY WARNING SYSTEMS: INSTALLATIONS, INSPECTION, TESTING AND MAINTENANCE".
- MUST COMPLY WITH CAN/ULC-S526, "VISIBLE SIGNAL DEVICES FOR FIRE ALARM SYSTEMS, INCLUDING ACCESSORIES".
- MUST BE RATED FOR EXTERIOR USE AND ACTIVATED BY THE INTERCONNECTED SMOKE ALARMS/WARNING SYSTEM LOCATED WITHIN THE LANEWAY SUITE.
- THE STROBE IS TO BE LOCATED AT A MINIMUM HEIGHT OF 1.8M ABOVE THE ADJACENT GROUND LEVEL AND BE VISIBLE FROM THE LANEWAY WITH CONSIDERATION OF OBSTRUCTIONS SUCH AS TREES AND FENCING.
- A CONTROL PANEL MUST BE INCLUDED AS A PART OF THIS SYSTEM.

SMOKE ALARMS/WARNING SYSTEM NOTES

MUST HAVE A RESIDENTIAL FIRE WARNING SYSTEM THAT IS INSPECTED, TESTED AND MAINTAINED IN ACCORDANCE WITH CAN/ULC-S540 AND THE APPLICABLE PROVISIONS IN THE ONTARIO FIRE CODE (OFC)

NFPA 13D ANALYSIS (2016 EDITION):

- 10.1 THE SYSTEM SHALL PROVIDE AT LEAST THE FLOW REQUIRED TO PRODUCE A MINIMUM DISCHARGE DENSITY OF 0.05 GPM/FT² (2.0MM/MIN) OR THE SPRINKLER LISTING, WHICHEVER IS GREATER TO THE DESIGN SPRINKLERS.
- 8.3.1. SPRINKLERS SHALL BE INSTALLED IN ALL AREAS EXCEPT WHERE OMISSION IS PERMITTED BY 8.3.2. THROUGH 8.3.8.
- 7.1.1. A SINGLE CONTROL VALVE ARRANGED TO SHUT OFF BOTH THE DOMESTIC SYSTEM AND THE SPRINKLER SYSTEM SHALL BE INSTALLED UNLESS A SEPARATE SHUTOFF VALVE FOR THE SPRINKLER SYSTEM IS INSTALLED IN ACCORDANCE WITH 7.1.2.
- 7.1.2. THE SPRINKLER SYSTEM PIPING SHALL NOT HAVE SEPARATE CONTROL VALVES INSTALLED UNLESS SUPERVISED BY ONE OF THE FOLLOWING METHODS: LOCAL ALARM SERVICE THAT CAUSES THE SOUNDING OF AN AUDIBLE SIGNAL AT A CONSTANTLY ATTENDED LOCATION; VALVES THAT ARE LOCKED OPEN

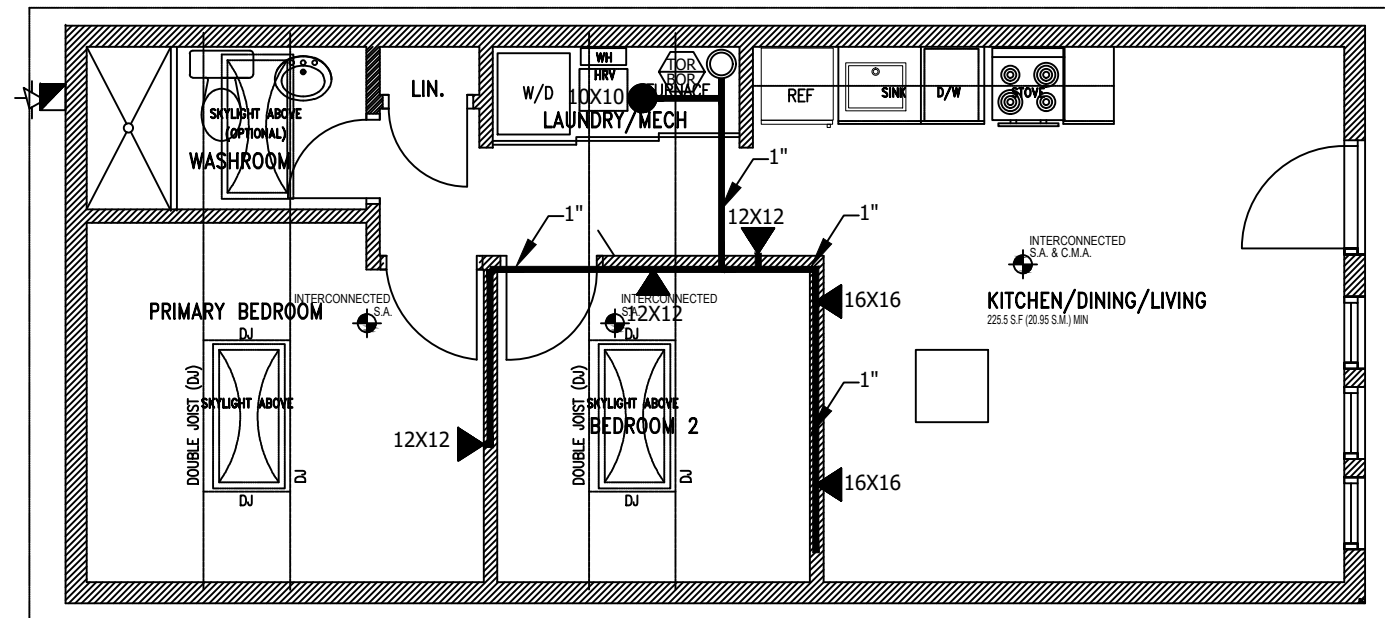
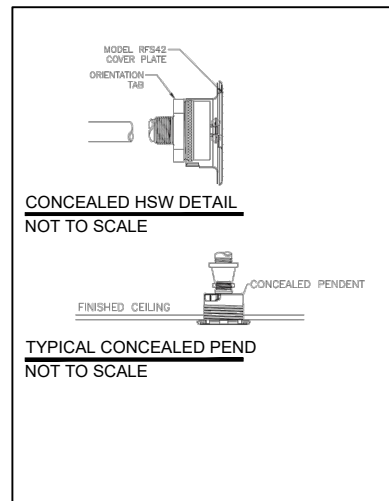
NOTE: AS PER NFPA 13D 2019 EDITION
 - SPRINKLERS SHALL NOT BE REQUIRED IN CLOSETS THAT DO NOT EXCEED 24SQ.FT (8.3.3)
 - SPRINKLERS SHALL NOT BE REQUIRED IN BATHROOMS 55SQ.FT. OR LESS (8.3.2.)

NOTE:
 - 36GPM @ 38 PSI IS REQUIRED AT THE BOTTOM OF RISER

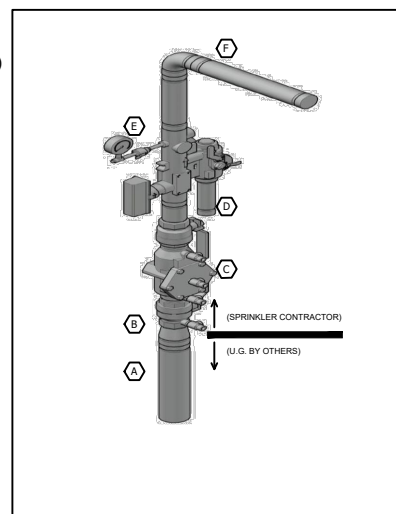
NOTE:
 - PROVIDE ACTIVE PROTECTION VIA AN AUTOMATIC SPRINKLER SYSTEM WITH VISUAL INDICATION OF THE SUITE VIA AN EXTERIOR STROBE ON THE LANEWAY SIDE.

G2H-1 PACKAGE
 GARDEN TWO
 BEDROOM HEAT
 PUMP-SPRINKLER
 OPTION

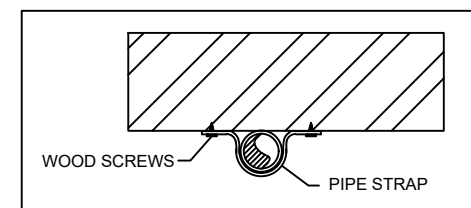
FOR
 REFERENCE
 ONLY



- (A) 2" MALE NPT BY OTHERS (*REQUIRE 40GPM @ 43 PSI AT 2" NPT LOCATION)
- (B) 2" X 1.5" CONCENTRIC REDUCER
- (C) 1.5" WATTS 007 DOUBLE CHECK VALVE
- (D) 1" TO NEAREST DRAIN LOCATION
- (E) 1.5" REABLE RISER MANIFOLD W/INSPECTORS TEST/DRAIN VALVE. FLOW SWITCH AND PRESSURE GAUGE
- (F) 1" CPVC TO SPRINKLER SYSTEM



FIRE PROTECTION SPRINKLER HEADER DETAIL
 NOT TO SCALE



TYPICAL LINE HANGER

- NOTE:
- THE DISTANCE FROM THE PROPOSED LANEWAY SUITE ENTRANCE DOOR MAY BE MORE THAN 45M FROM WHERE TORONTO FIRE SERVICES WILL STATION ITS APPARATUS IN THE EVENT OF FIRE AT THE PROPOSED LANEWAY SUITE IF THE FOLLOWING REQUIREMENTS ARE MET:
 - a) THE DISTANCE IS NOT MORE THAN 90M AND
 - b) OPTION 1 (ACTIVE PROTECTION - SPRINKLER PROTECTION) OR OPTION 2 (PASSIVE PROTECTION - INCREASED SPATIAL SEPARATION AND EXPOSURE PROTECTION) ARE PROVIDED FOR AND INCORPORATED INTO THE BUILDING DESIGN OF THE LANEWAY SUITE.

(VISIT CITY OF TORONTO WEBSITE REGARDING PROVIDING FIRE DEPARTMENT ACCESS TO A LANEWAY SUITE FOR MORE INFORMATION)

1	AS PER DIVISION COMMENTS	07/2025
NO.	REVISION	DATE
TITLE: SPRINKLER SYSTEM LAYOUT PRE-APPROVED PLANS		
DATE:	JUNE 2025	DRAWING NO.:
SCALE:	3/16"=1'	SP1

TWO BEDROOM GARDEN SUITE

CITY OF TORONTO
 TORONTO BUILDING DIVISION
 DEVELOPMENT AND GROWTH
 SERVICES
 100 QUEENS ST W
 TORONTO, ON, M5H 2N2