



BE READY BEFORE A BASEMENT FLOOD TESTS YOUR HOME

During heavy rain, sewers can become overloaded. It is essential that homeowners take appropriate action to reduce the risk of basement flooding.

We're here to help.

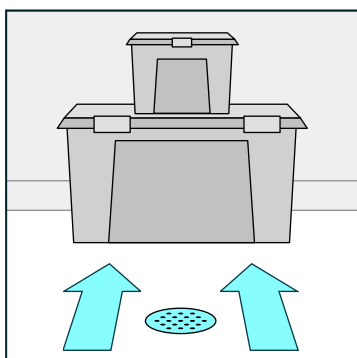
CITY SUPPORT

Apply for the City of Toronto's Basement Flooding Protection Subsidy Program and you could receive up to **\$6,650*** in City subsidies towards protecting your home from basement flooding.

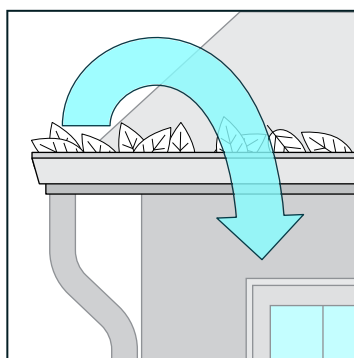
Eligible Work	Maximum City Subsidy Available (Up to 80% of cost)
NEW: Home Plumbing Assessment	Up to \$500
Backwater Valves (two device maximum)	Up to \$1,600 per device
Sump Pump	Up to \$2,250
NEW: Sump Pump Battery Backup Power	Up to \$300
Foundation drain (weeping tile) pipe severance and capping	Up to \$400
TOTAL MAXIMUM SUBSIDY	Up to \$6,650

* If you meet all eligibility requirements

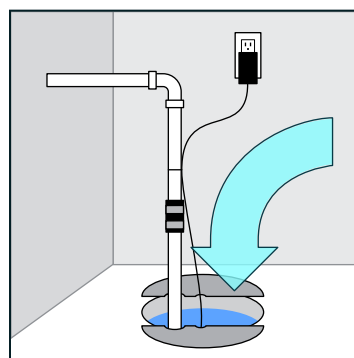
WHAT YOU CAN DO FOR \$0 TO \$250



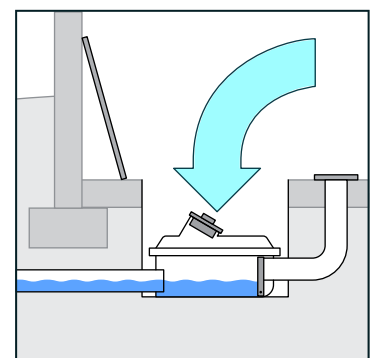
Remove obstructions to floor drain.



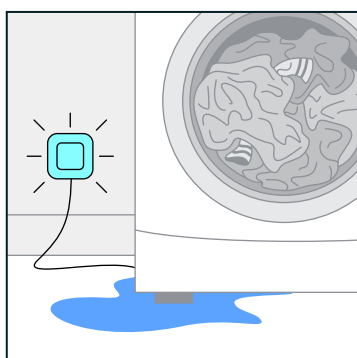
Clean out eavestroughs and downspouts of leaves, ice, snow and other debris.



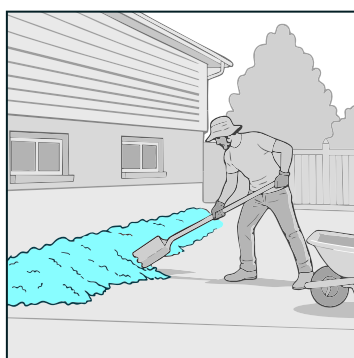
Test your sump pump regularly to ensure it is functioning properly and ready before heavy rainfall occurs.



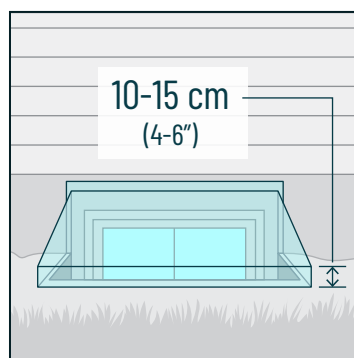
Clean out your backwater valve every two to three months and before heavy rain.



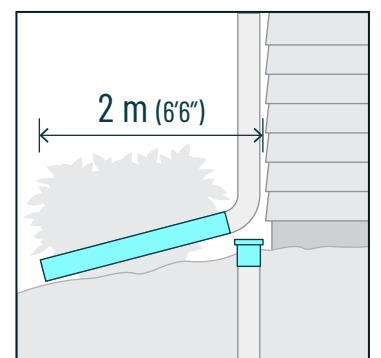
Install and maintain flood alarm.



Correct grading to direct water at least 2 m away from your foundation.[†]



Install window wells that sit 10-15 cm above ground, and window well covers (where fire escape requirements permit). Seal leaks in windows and foundations and seal all window wells.



Disconnect downspouts, cap foundation drains and extend downspouts and sump discharge pipes to direct water at least 2 m from foundation.[†]

[†] Ensure redirected water does not negatively impact neighbouring properties.

NOTE – These materials are adapted (under license) from materials produced by the Intact Centre on Climate Adaptation. For additional resources on climate adaptation, please visit www.intactcentre.ca.



Get information on the City's Basement Flooding Protection Subsidy Program at toronto.ca/BFPsubsidy

